

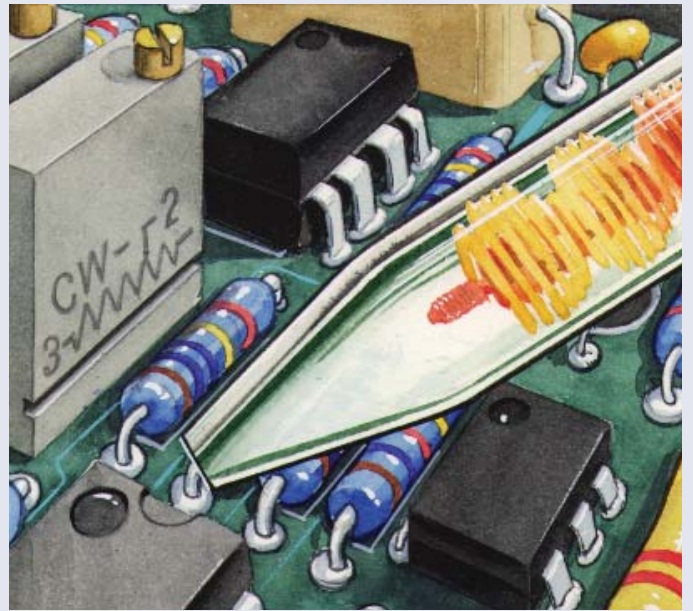
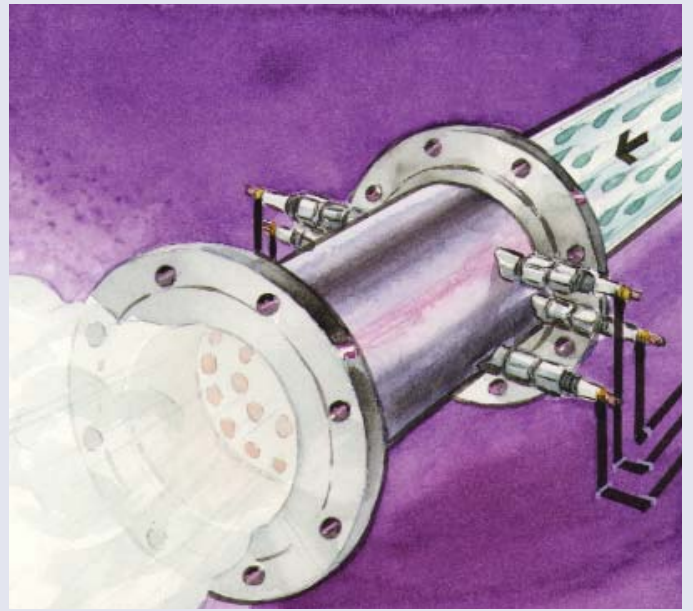
Air Heaters



SEE THE WORLD IN A NEW LIGHT

SYLVANIA







Applications

Aerospace:

- Combustion/flow simulation

Packaging:

- High-speed, poly-coated paperboard sealing
- High-speed, heat-shrink installations
- Forming
- Curing adhesives
- Sterilizing bottles or cartons

Automotive:

- Hot air bonding of body panels
- Curing adhesives
- Vacuum forming
- Simulation of engine exhaust
- Fuel cell testing

Plastics/Rubber:

- Salt removal from rubber extrusions
- Bending and forming of plastics
- De-flashing of molded parts

Textiles:

- Welding plastic or vinyl fabrics
- Heat-treating specialty fabrics

Semiconductor and Electronics:

- Air knife in wave solder machines
- Soldering/desoldering PC boards, lead frames, capacitors
- Wafer and PC board drying
- Heat-shrinking wire insulation
- Preheating process gases

Sterilization:

- Pharmaceuticals
- Medical/surgical hardware
- Packaging materials

Paper/Printing:

- Speed drying coated paper
- Adhesive activation
- Ink drying

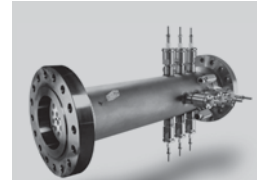
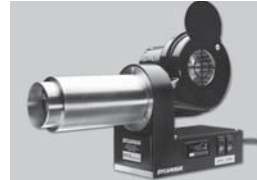
WARNING: OSRAM SYLVANIA Air/Inert Gas Heaters should be used to heat air or an inert gas only. Use with explosive gases or in an explosive ambient can result in an explosive event, possibly leading to a serious accident or injury.

SYLVANIA Air Heaters

With air temperatures controllable to 1652°F (900°C), SYLVANIA Air Heaters are your solution for many critical applications. If our “standard” heaters below do not meet your needs, contact us. Since 1968, SYLVANIA has developed hundreds of unique and custom products for the most demanding applications. Let us know what we can do for you.



Product	Series I, II, III	Hot Air Tool	Serpentine II, VI	Threaded Inline
Features	Basic heater with quartz insulator tube. Ideal for “spot” heating applications.	Compact size. Built-in Type K thermocouple allows for precise ± 1 degree control.	Triple-pass exchanger housing improves efficiency and safety.	Serpentine element in high-pressure pipe for critical processes.
kW	0.6 – 2.4 1 phase	1.5 – 3.5 1 phase	2.0 – 8.0 1 phase	1.6 – 18.0 1/3 phase
Max. Air Temperature °F (°C)	1600 (871)	1400 (760)	1500 (815)	1400 (760)
Max. Air Pressure psi (bar)	7 (0.5)	60 (4)	25 (1.7)	150 (10)
Use with Blower?	No	No	No	No
Page	8	10	12	14



SUREHEAT® JET

All-purpose single-phase heater with two built-in Type K thermocouples for precise control and overtemp protection.

3.0 – 8.0
1 phase

1400 (760)

60 (4)

Yes

16

SUREHEAT® MAX

All-purpose three-phase heater with two built-in Type K thermocouples for precise control and overtemp protection.

6.0 – 36.0
1/3 phase

1400 (760)

60 (4)

Yes

18

SUREHEAT® MAX HT

High temperature heater to 900°C with a built-in Type K thermocouple for precise control and overtemp protection.

30.0 – 36.0
3 phase

1652 (900)

60 (4)

Yes

20

SKORPION™

The complete heater, blower and control unit that is ready to plug in and use. Includes built-in overtemp protection.

1.5 – 4.5
1 phase

1400 (760)

1 (0.07)

Yes

22

Flanged Inline

ANSI flange-mount heater for extremely high pressure and high flow applications. Significantly smaller, lighter weight and faster response than tubular designs.

18.0 – 400.0
3 phase

1500 (815)

150 (10)*
*higher pressure models available

Yes

24

About Air Heaters

Selecting an Air Heater

The energy (kW) requirement is calculated from the following formula:

$$kW = \frac{SCFM \times (T_{exit} - T_{inlet})}{2500}$$

- SCFM = Air flow in Standard* Cubic Feet per Minute
- Tinlet = Inlet Air Temperature (°F) (typically 70°F)
- Texit = Desired Exit Air Temperature (°F)
- 2500 = Unit conversion factor which includes 20% heat losses

Example:

Heating 10 SCFM from ambient temperature (70°F) to 800°F:

$$kW = \frac{10 \text{ SCFM} \times (800^\circ\text{F} - 70^\circ\text{F})}{2500} = 2.9 \text{ kW}$$

Conversion Formulas:

(Liters per Minute)/28.3 = Cubic Feet per Minute

°C = 5/9 (°F-32)

°F = 9/5 (°C) + 32

*Please refer below for an explanation of Standard flow rate.

Air Sources

If used properly, heater life of 5000 hours or greater can be expected. To ensure long heater life and safe operation, follow these guidelines. Also read and understand your heater operating manual before use. Failure to follow these guidelines can result in heater damage, failure or personal injury.

Air Sources

In general, compressed air and air from regenerative blowers may be used to supply OSRAM SYLVANIA air heaters. Your air source should be clean and dry. Dirt, grease, oil, or oil vapors, or corrosive or reactive gases will damage an air heater. Also, use air or inert gas only. Do not use with volatile or combustible gases.

Regenerative Blowers

Regenerative blowers are compact and inexpensive clean air sources. They can provide large amounts of low-pressure air for your air heating system. Blower size is based on the maximum amount of airflow (CFM or LPM) it can produce without any inlet or exit restrictions. When a heater or other restriction is attached to a blower, the maximum flow decreases. If the blower is severely restricted, the blower motor can overheat and fail.

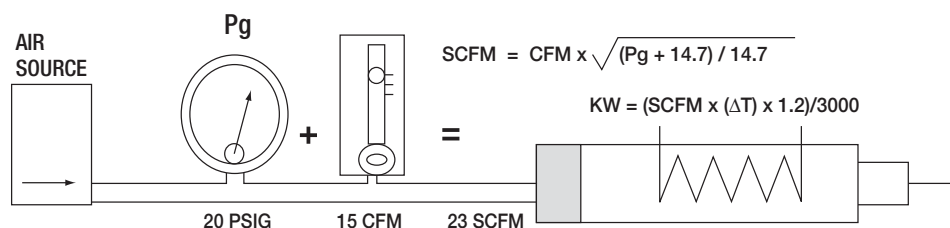
When designing your heating system, you should try to minimize air restrictions and select a blower sufficient to

overcome the backpressure generated by the heater, flare and associated piping. Because of their small size, the Series, Hot Air Tool, and Serpentine II heaters should not be used with regenerative blowers.

Compressed Air

Compressed air is commonly available in most factories. It is high-pressure regulated air (typically to 100 psi), and often contains oil for lubricating pneumatic valves and equipment. You must filter this oil to prevent fouling and damage to the electric air heater elements.

When measuring compressed air flow rates, be sure you are measuring Standard CFM or Standard LPM units. The “Standard” means that the units are measured at standard temperature and pressure. Many flow meters are labeled SCFM, but this is incorrect at the higher pressures produced by compressed air. For accurate flow measurements, you must consult your flow meter manual for converting CFM to “Standard” CFM. In the diagram below, the flow meter reading (CFM) is converted to SCFM using a Dwyer ball-type flow meter conversion.



Controls

A good control system is critical for long heater life. Before turning your control system on, you must have sufficient air-flow through the heater before applying power. (Applies to heaters without SUREHEAT® over-temperature protection.) Only qualified individuals should install OSRAM SYLVANIA heaters and controls. Follow all applicable electrical codes and use proper wiring.

Open-Loop (Manual) Control

This simple method of control uses a manually operated power controller to apply a fixed voltage to the heating element. Using this system, the operator manually adjusts the controller to change heater temperature. Note that if the airflow is suddenly interrupted, the element could fail. The open-loop controller is generally used with heaters from OSRAM SYLVANIA.

Closed-Loop (Feedback) Control

A closed-loop heater control system uses a power controller, temperature controller and thermocouple to provide a constant output temperature, regardless of changes in airflow. The temperature controller also provides a convenient display of your process air temperature.

Power Controller

Phase angle fired SCR (Silicon Controlled Rectifier) power controls will provide the smoothest power regulation for OSRAM SYLVANIA air heaters.

Other power controls may be suitable, such as distributive zero cross SSR (Solid State Relays) or other fast-switching SSR's, but you should contact OSRAM SYLVANIA for approval before use.

Temperature Controller

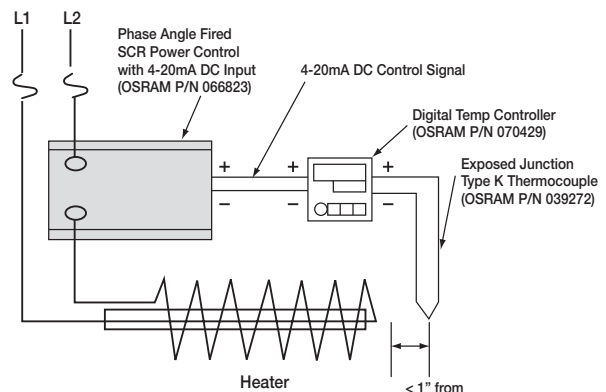
Use only digital temperature controls with Type K thermocouple inputs. The temperature control output must match the input of the power control (i.e., 4-20mA or 0-10VDC).

A standard PID-type control with a wide proportional band setting will work best to minimize temperature overshoot. PID parameters may be auto-tuned, but only at temperatures well below the maximum of the heater. If the temperature rises too high during auto-tune, turn power off immediately.

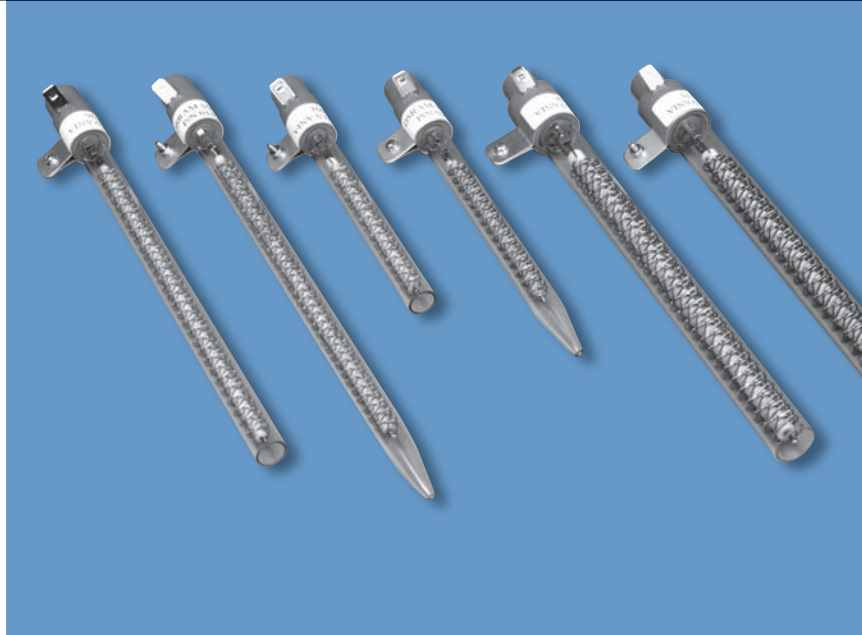
When using a Solid State Relay power control, the temperature controller cycle time should be set for 100ms or less.

Thermocouple

Use only a fine-wire (.030" max. wire diameter), exposed junction, Type K thermocouple placed within 1" of the heater exit for accurate temperature readings. Other thermocouple styles, or varying the distance from the heater exit, will result in temperature measurement errors and/or heater failure.



Series I, II, III Heaters

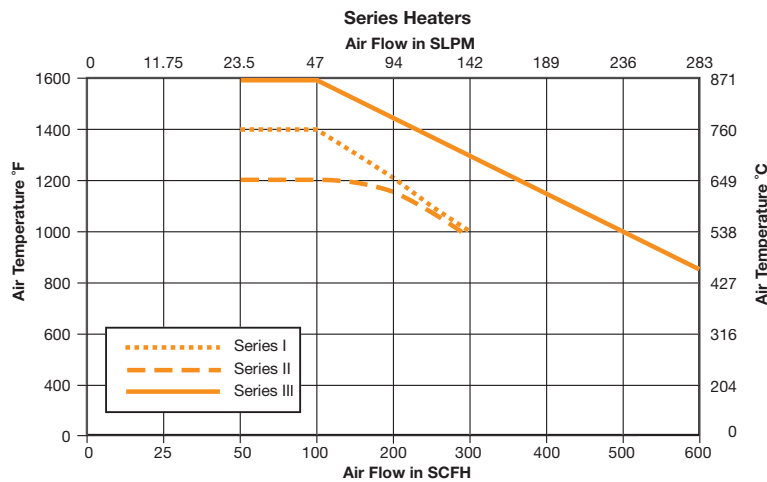


Specifications

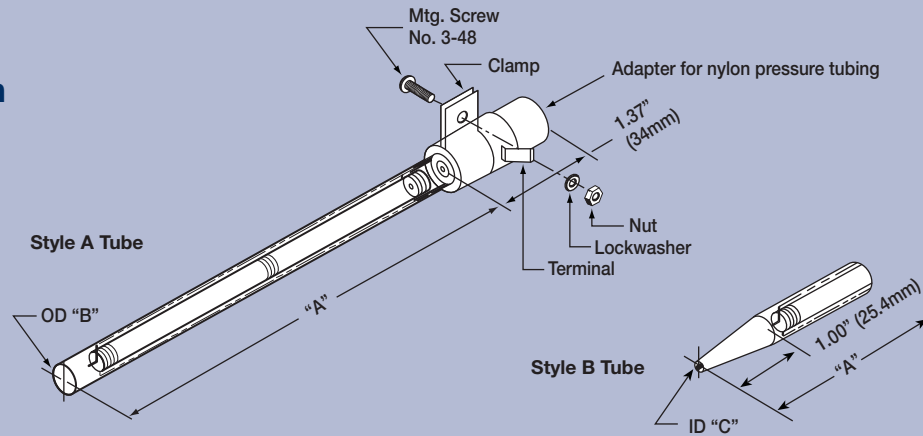
- Air temperature controllable to 1600°F (871°C)
- Quartz outer tube housing
- Nozzled (Style B) or open-ended (Style A) design
- High-temperature silicone rubber rear adapter/terminal assembly
- Maximum air pressure 7 psi (0.5 bar)
- Maximum inlet temperature 120°F (49°C)
- Recommended minimum airflow 1 SCFM (60 SCFH)
- RoHS compliant



Performance



Installation



Products

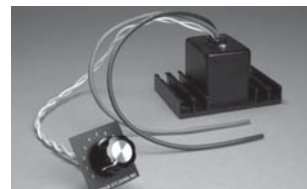
Part Number	Tube Style	Max. Watts	Max. Volts	Tube Length "A"	Tube O.D. "B"	Nozzle I.D. (Style B) "C"
Series I						
010226	A	1050W	180	6.88" (175mm)	.41" (10mm)	—
014372	A	1000W	130	7.75" (197mm)	.41" (10mm)	—
014682	B	680W	145	7.88" (200mm)	.41" (10mm)	.07" (2mm)
014683	B	650W	105	8.75" (222mm)	.41" (10mm)	.07" (2mm)
Series II						
016501	A	1125W	130	3.88" (98mm)	.41" (10mm)	—
016503	A	850W	80	3.88" (98mm)	.41" (10mm)	—
016502	B	600W	95	4.88" (124mm)	.41" (10mm)	.07" (2mm)
016504	B	650W	70	4.88" (124mm)	.41" (10mm)	.07" (2mm)
Series III						
017558	A	2050W	160	6.88" (175mm)	.59" (15mm)	—
017575	B	1450W	135	7.88" (200mm)	.59" (15mm)	.12" (3mm)

Accessories

Part Number	Description
057081	Open-loop (manual) power control 120-277V 25A

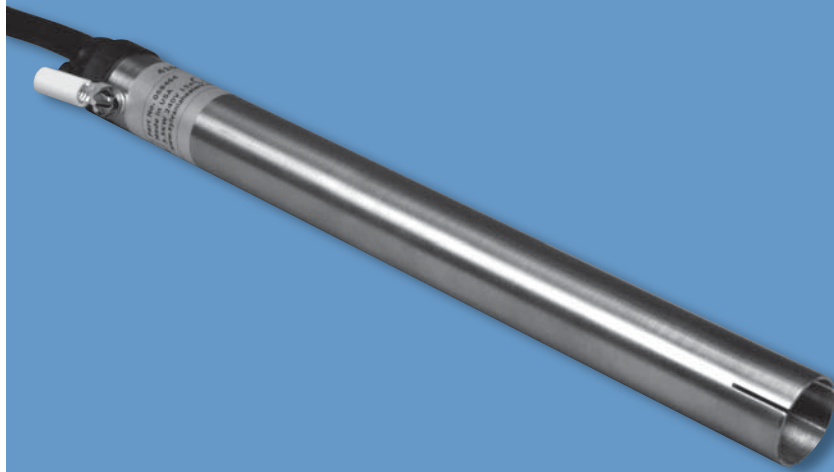
Stainless Steel Outer Shields - Open Ended

015509	For Series I heater	(P/N 014372)
057083	For Series I heater	(P/N 010226)
017853	For Series II heater	(P/N 016501, 016503)



057081

Hot Air Tools

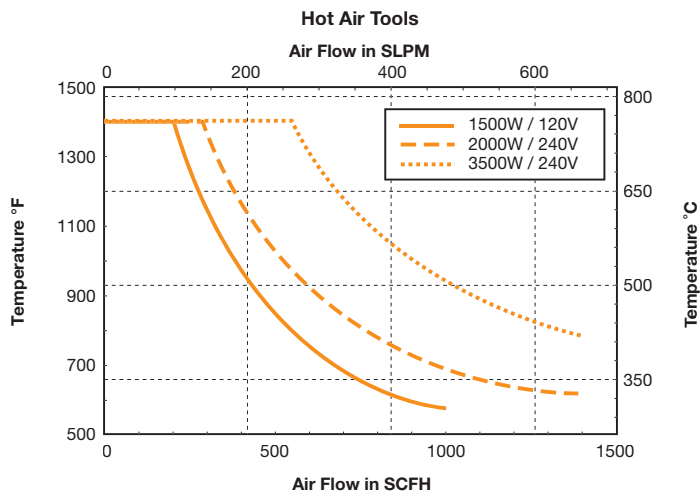


Specifications

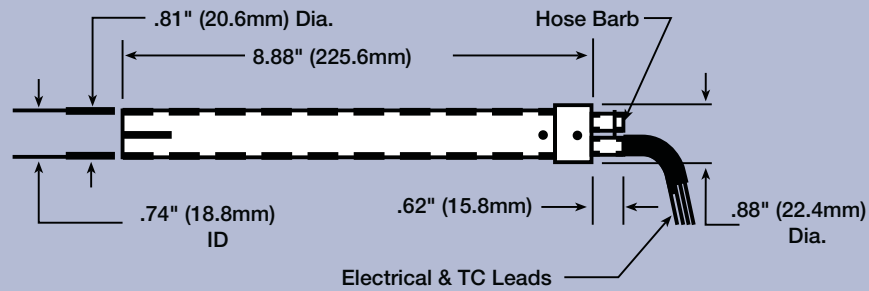
- Air temperature controllable to 1400°F (760°C)
- Built-in Type K thermocouple
- 1/4" hose barb air connection
- Maximum inlet temperature 120°F (49°C)
- Maximum air pressure 60 psi (4 bar)
- Slotted exit for flare attachment
- 304 stainless steel body
- 3' (914mm) power and thermocouple leads
- RoHS compliant



Performance



Installation

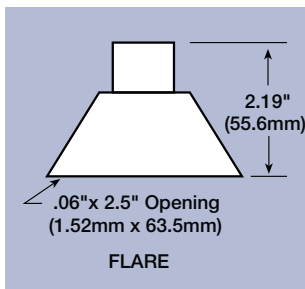


Products

Part Number	Max. Watts	Max. Volts	Max. Amps	Min. Flow SCFH (SLPM)
068462	1500W	120	13	30 (14)
068463	2000W	240	9	70 (33)
068464	3500W	240	15	90 (43)

Accessories

Part Number	Description
068472	Flare (includes clamp) .06" x 2.5" (1.52mm x 63.5mm) opening
057081	Open-loop (manual) power control 120-277V 25A
066823	Closed-loop power control, 30A, 240V, 4-20mA (used with 070429)
070429	Digital temperature control, 1/16 DIN (used with 066823), 4-20mA



057081

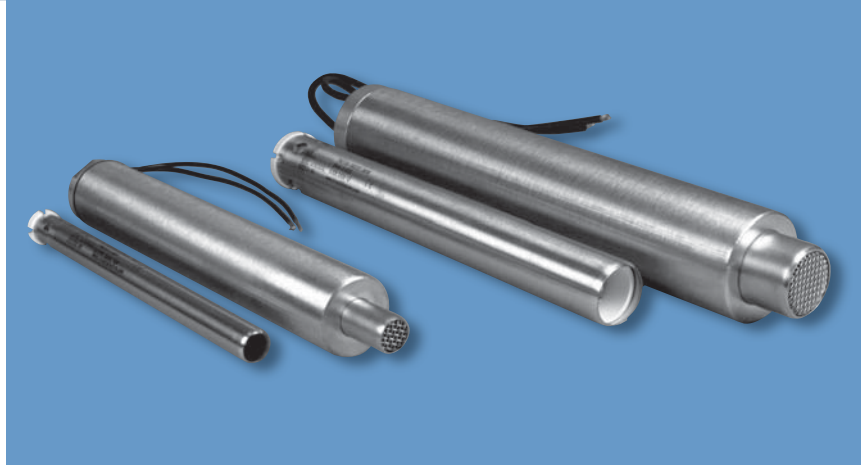


066823



070429

Serpentine II, VI Triple Pass Heaters

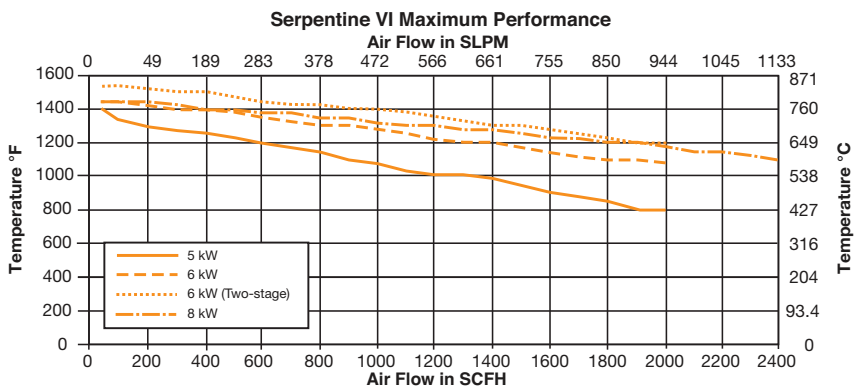
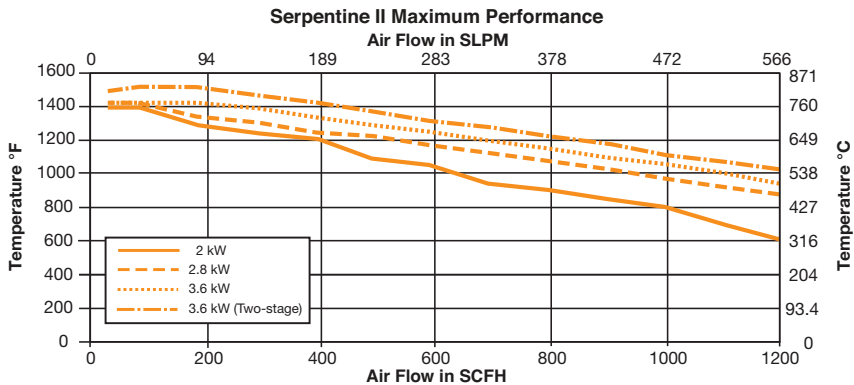


Specifications

- Air temperature controllable to 1500°F (815°C)
- Serpentine II to 3.6kW
- Serpentine VI to 8.0kW
- Triple Pass Heat Exchanger uses incoming air to cool outer shell
- Maximum air pressure 25 psi (1.7 bar)
- Replaceable element assemblies
- Recommended minimum airflow 60 SCFH
- RoHS compliant

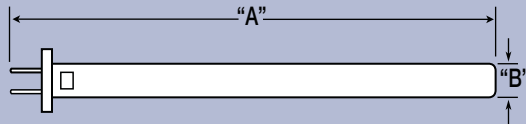


Performance

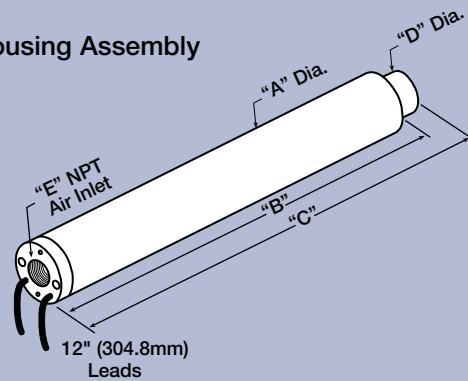


Installation

Element



Housing Assembly



Elements

Part Number	Max. Watts	Max. Volts	Max. Amps	Overall Length "A"	Tube O.D. "B"
Serpentine II Elements used with housing 029763					
029765	2.0kW	240	8	8.20" (208mm)	0.63" (16mm)
029766	2.8kW	240	12	8.20" (208mm)	0.63" (16mm)
029767	3.6kW	240	15	8.20" (208mm)	0.63" (16mm)
060418	3.6kW (Two-stage)	240	15	8.63" (219mm)	0.63" (16mm)
Serpentine VI Elements used with housing 057088					
040291	5.0kW	240	21	10.88" (276mm)	1.25" (32mm)
040292	6.0kW	240	25	10.88" (276mm)	1.25" (32mm)
061429	6.0kW (Two-stage)	240	25	10.88" (276mm)	1.25" (32mm)
056548	8.0kW	240	33	10.88" (276mm)	1.25" (32mm)

Housing Assemblies

Part Number	Serpentine Type	"A"	"B"	"C"	"D"	"E"
029763	II	1.6" (40mm)	9.0" (229mm)	10.0" (254mm)	0.7" (18mm)	3/8" NPT
057088	VI	2.1" (54mm)	11.9" (302mm)	12.9" (327mm)	1.4" (35mm)	3/4" NPT

Accessories

Part Number	Description
039739	Serpentine II base adaptor assembly
042339	Serpentine VI base adaptor assembly
029485	Serpentine II TC holder (includes TC)
040299	Serpentine VI TC holder (includes TC)
039272	Type K thermocouple probe, 3/16" (4.8mm) O.D.
066823	Closed-loop power control, 240V, 30A, 4–20mA
057081	Open-loop (manual) power control 120–277V 25A
070429	Digital temperature controller, 1/16 DIN, 4–20mA



039272



057081



039739/042339



066823



070429

Threaded Inline Heaters



Specifications

- Air temperature controllable to 1400°F (760°C)
- For applications requiring high pressure air
- Both ends threaded 3/8", 1/2", 1-1/4", and 2-1/2" NPT
- 304 stainless steel housing
- Recommended minimum airflow 60 SCFH

Style A

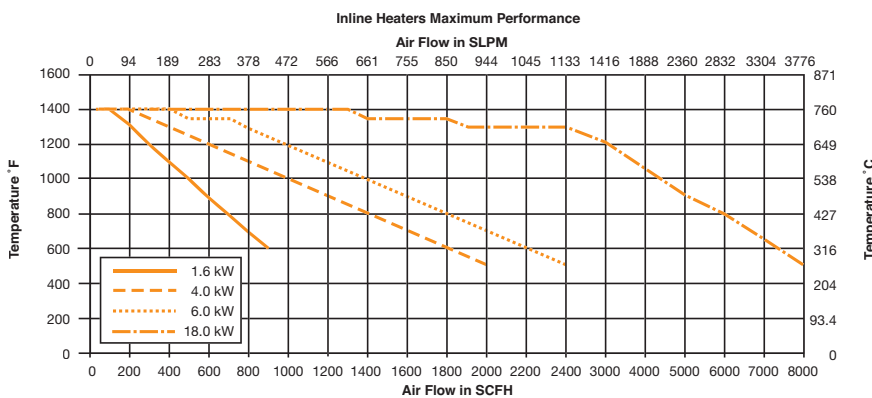
- Should be used whenever an absolute leak-proof system up to 150 psi (10 bar) is required
- Two high-temperature power feedthroughs
- Maximum inlet temperature 900°F (482°C)

Style B

- Maximum air pressure 150 psi (10 bar), but will have slight air leakage through power wire strands
- 12" (305mm) flexible power wires
- Maximum inlet temperature 200°F (93°C)
- RoHS compliant

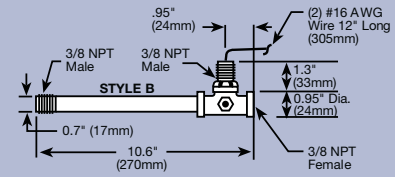
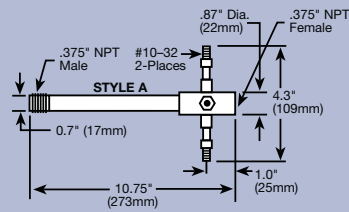


Performance

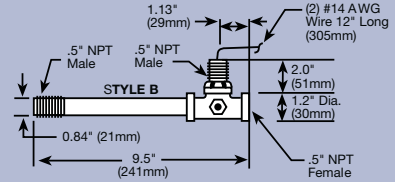
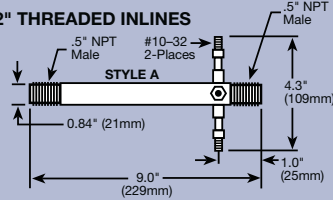


Installation

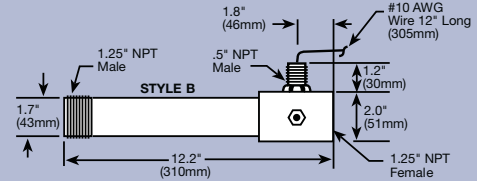
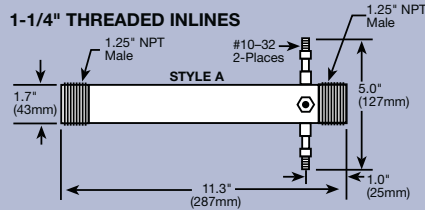
3/8" THREADED INLINES



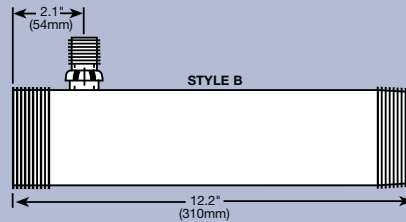
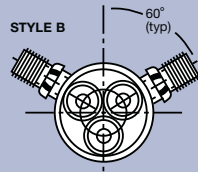
1/2" THREADED INLINES



1-1/4" THREADED INLINES



2-1/2" THREADED INLINE



Products

Heater Size (NPT)	Max. Watts	Max. Volts	Max. Amps	Part No., Style A	Part No., Style B
3/8"	1.6kW	170	9.4	038821	038822
1/2"	4.0kW	220	18.2	038823	038824
1-1/4"	6.0kW	220	27.3	038825	038826
2-1/2"	18.0kW	240	75.0 (1φ)/44.0 (3φ)	N/A	063007
2-1/2"	24.0kW	240	100 (1φ)/57.8 (3φ)	N/A	074439

Accessories

Part Number	Description
057081	Open-loop (manual) power control 120-277V 25A
066823	Closed-loop power control, 240V, 30A
070429	Temperature controller — 1/16 DIN, 4–20mA
039272	Type K thermocouple probe, 3/16" (4.8mm) O.D.

SUREHEAT® JET Air Heater

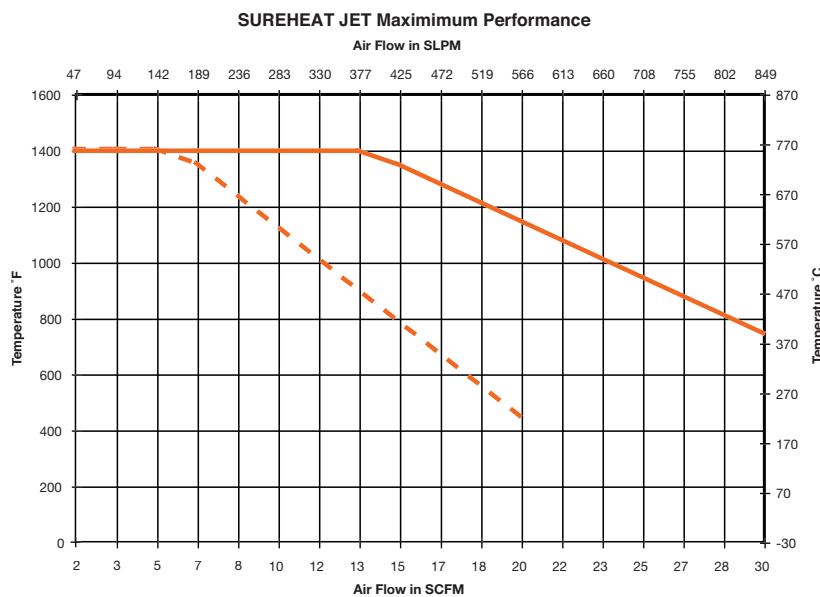


Specifications

- Air temperature controllable to 1400°F (760°C)
- Power ratings 3.0kW - 8.0kW
240V - 1φ
- Two internal Type K thermocouple sensors for control and safety:
 - S1 measures inlet temperature
 - S2 measures exit temperature
- Rapid heat-up and cool-down
- Maximum air pressure 60 psi (4 bar)
- Maximum inlet temperature 200°F (93°C)
- Use SUREHEAT JET Control (purchased separately) for easy installation
- Recommended minimum airflow 2 SCFM (57 SLPM)
- RoHS compliant



Performance

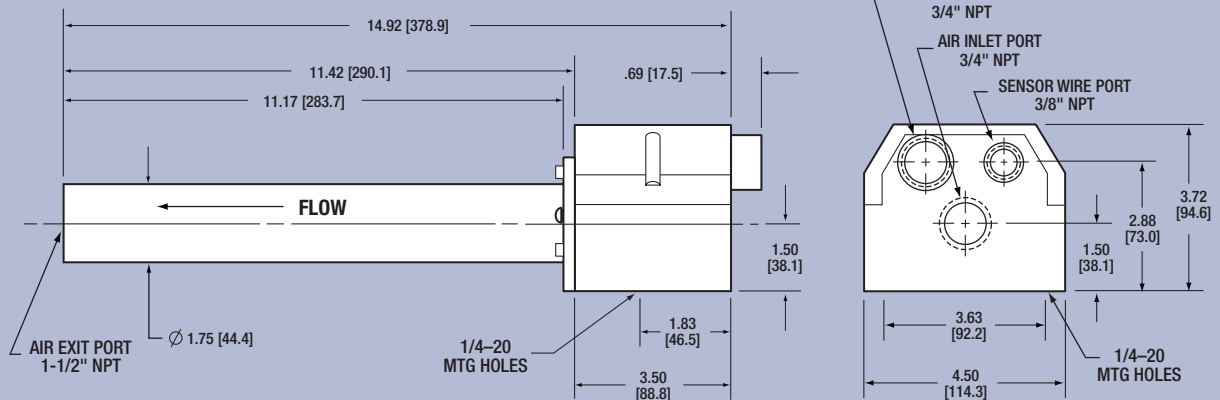
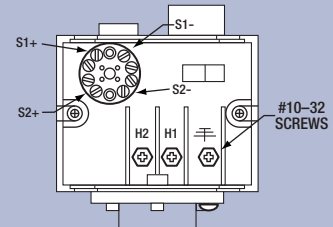


* Temperature as measured by internal Type K thermocouple.

Installation

Wiring Notes:

- S1 and S2 sensors are Type K thermocouple.
- S1 measures inlet air temperature.
- S2 measures exit air temperature.
- See operating manual for control settings.



Products

Heater Size (NPT)	Description	Max. Watts	Max. Volts	Max. Amps
074718	SUREHEAT® JET 3.0kW heater	3.0kW	240	12.5
074719	SUREHEAT JET 8.0kW heater	8.0kW	240	33.3

Accessories

Part Number	Description
074722	SUREHEAT JET control cabinet 8.0kW/240V/35A/1φ
075526	SUREHEAT JET control cabinet 8.0kW/240V/35A/1φ w/RS-232 comm.
074829	1/16 DIN digital temperature control (for S2 KTC)
074835	Inlet temperature limit circuit (For S1 KTC)



074829



074835



074722

SUREHEAT® MAX Air Heater

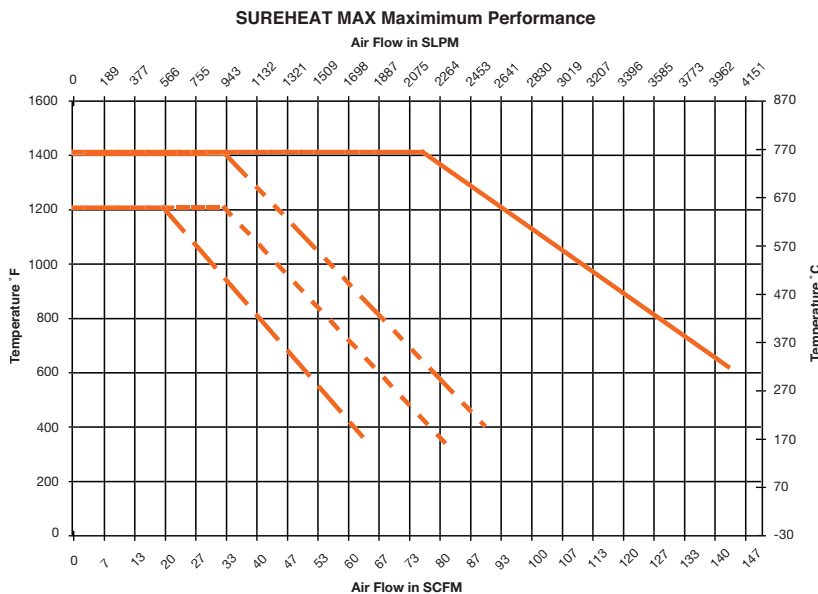


Specifications

- Air temperature controllable to 1400°F (760°C)
- Power ratings 6.0kW - 36.0kW
240/380/480V - 1 ϕ /3 ϕ
- Two internal Type K thermocouple sensors for control and safety:
 - S1 measures inlet temperature
 - S2 measures exit temperature
- Rapid heat-up and cool-down
- Maximum air pressure 60 psi (4 bar)
- Maximum inlet temperature 200°F (93°C)
- Recommended minimum airflow 12 SCFM
- Use SUREHEAT MAX Control (purchased separately) for easy installation
- RoHS compliant



Performance



* Temperature as measured by internal Type K thermocouple.

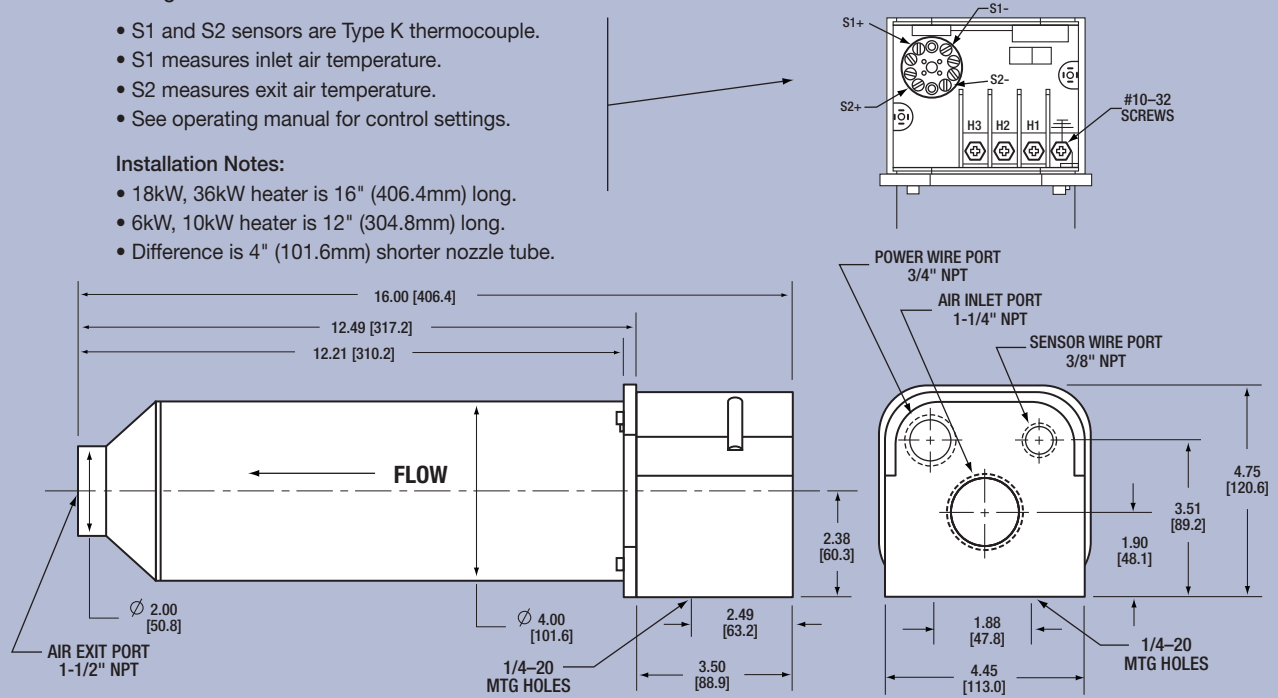
Installation

Wiring Notes:

- S1 and S2 sensors are Type K thermocouple.
- S1 measures inlet air temperature.
- S2 measures exit air temperature.
- See operating manual for control settings.

Installation Notes:

- 18kW, 36kW heater is 16" (406.4mm) long.
- 6kW, 10kW heater is 12" (304.8mm) long.
- Difference is 4" (101.6mm) shorter nozzle tube.



Products

Part Number	Description	Max. Watts	Max. Volts	Max. Amps
074723	SUREHEAT® MAX 6.0kW heater	6.0kW	240 - 1 ϕ	25.0
074724	SUREHEAT MAX 6.0kW heater	6.0kW	240 - 3 ϕ	14.5
074725	SUREHEAT MAX 6.0kW heater	6.0kW	380 - 3 ϕ	9.1
074726	SUREHEAT MAX 6.0kW heater	6.0kW	480 - 3 ϕ	7.2
074727	SUREHEAT MAX 10.0kW heater	10.0kW	240 - 1 ϕ	41.7
074728	SUREHEAT MAX 10.0kW heater	10.0kW	240 - 3 ϕ	24.1
074729	SUREHEAT MAX 10.0kW heater	10.0kW	380 - 3 ϕ	15.2
074731	SUREHEAT MAX 10.0kW heater	10.0kW	480 - 3 ϕ	12.0
074732	SUREHEAT MAX 18.0kW heater	18.0kW	240 - 3 ϕ	43.4
074733	SUREHEAT MAX 18.0kW heater	18.0kW	380 - 3 ϕ	27.4
074734	SUREHEAT MAX 18.0kW heater	18.0kW	480 - 3 ϕ	21.7
074735	SUREHEAT MAX 30.0kW heater	30.0kW	380 - 3 ϕ	45.6
074736	SUREHEAT MAX 36.0kW heater	36.0kW	480 - 3 ϕ	43.4

Accessories

Part Number	Description
075725	SUREHEAT MAX control cabinet 18.0kW/480V/25A/3 ϕ
074829	1/16 DIN digital temperature control (for S2 KTC)
074835	Inlet temperature limit circuit (for S1 KTC)

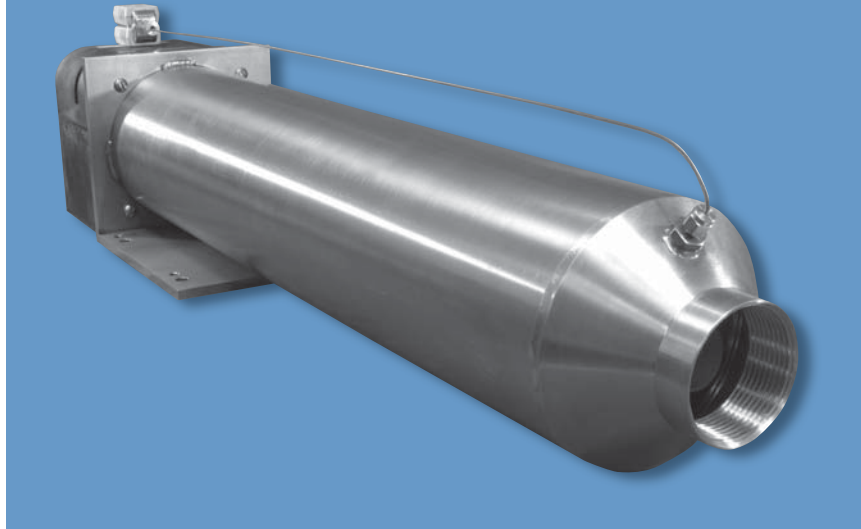


074829



074835

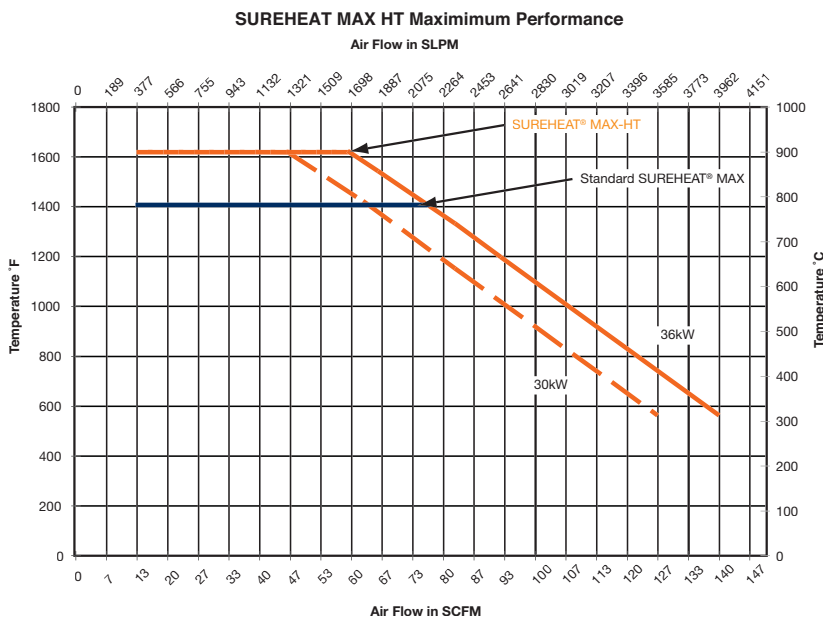
SUREHEAT® MAX HT Air Heater



Specifications

- Specially constructed SUREHEAT MAX air heater for heating air and inert gases to 900°C (1652°F)
- For applications demanding extremely high temperature including automotive sensors, diesel filter regeneration, thermal stress conditioning, general R&D, etc.
- Two (2) current models available:
 - 30kW 380V - 3φ 45.6A (P/N F076189)
 - 36kW 480V - 3φ 43.4A (P/N F076197)
- Custom sizes available upon request
- One (1) dual exposed junction, Type K thermocouple probe included for precision control and over-temperature protection.
- Recommended minimum airflow 12 SCFM (340 SLPM)
- RoHS compliant

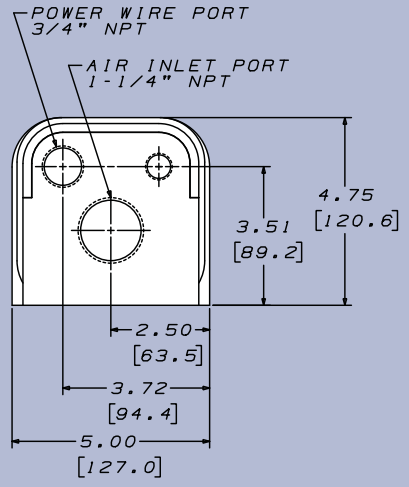
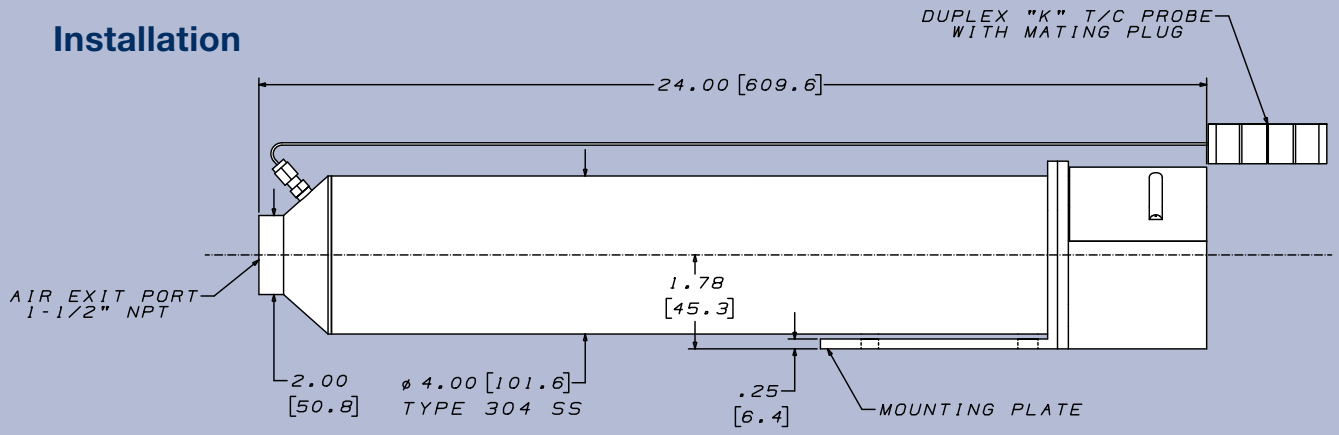
Performance



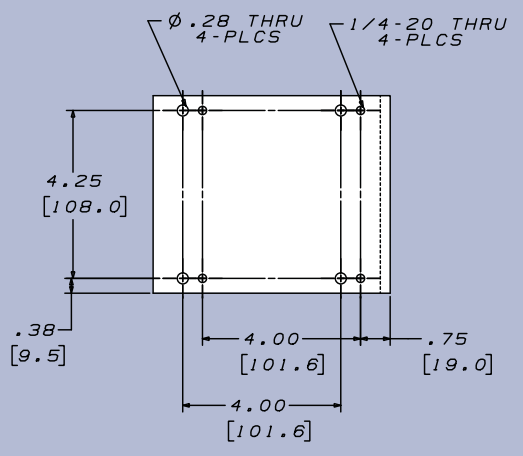
* Temperature as measured by internal Type K thermocouple.



Installation



REAR VIEW



MOUNTING PLATE VIEW

SKORPION™ Air Heater

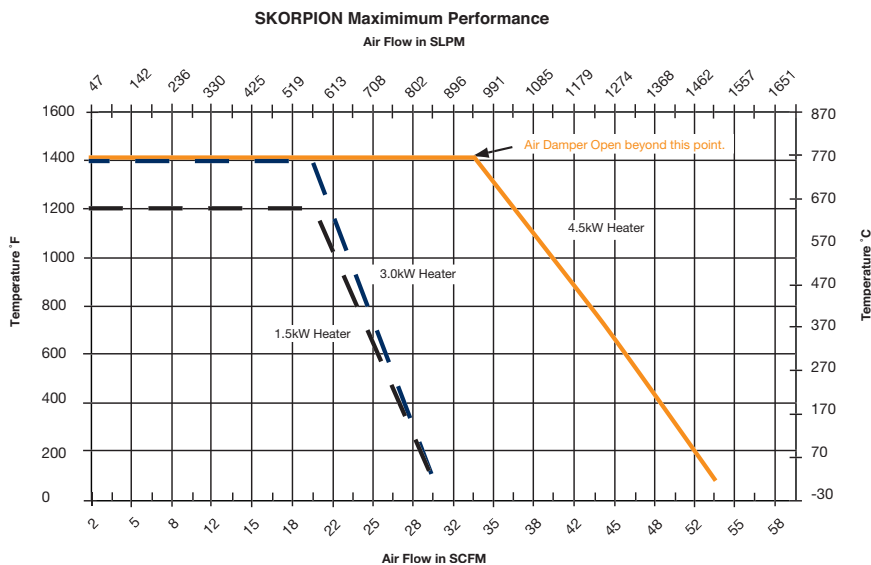


Specifications

- Air temperature controllable to 1400°F (760°C)
- Power ratings 1.5kW – 4.5kW
120/230 - 1φ
- Complete heater including blower and control unit that is ready to plug in and use
- Convenient digital display shows current operating temperature
- Built in over-temperature protection and a two-year limited warranty
- Models also available without blower for use with customer supplied air source
 - Maximum inlet temperature 200°F (93°C)
 - Recommended minimum airflow 2 SCFM
- RoHS compliant

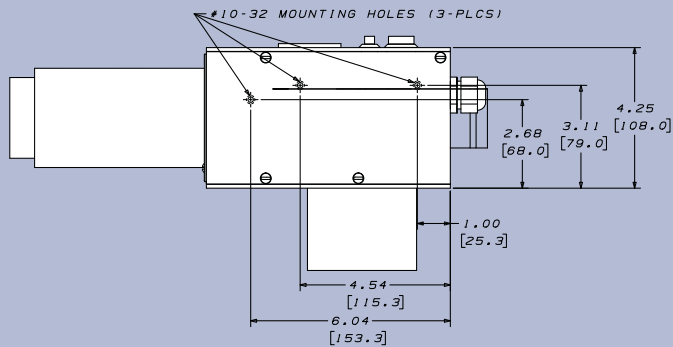
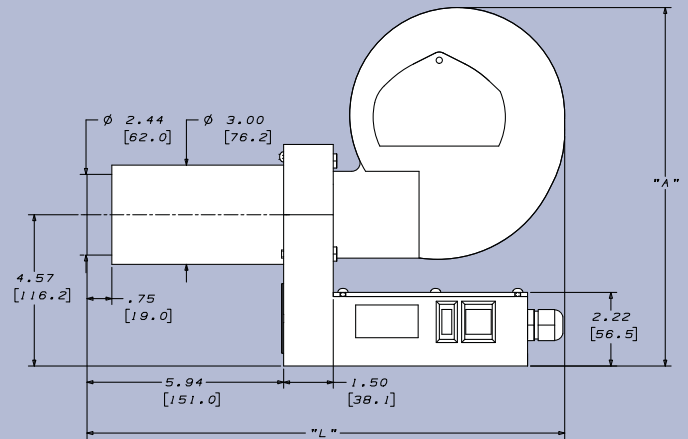


Performance



* Air Temperature as measured by internal Type K thermocouple.

Installation



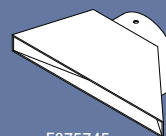
Products

Part Number	Description	Max. Watts	Max. Volts	Max. Amps	Height "A"	Height "B"
075615	SKORPION™ air heater	1.5kW	120 - 1 ϕ	12.5A	9.18"	13.58"
075616	SKORPION air heater	3.0kW	230 - 1 ϕ	12.5A	9.18"	13.58"
076008	SKORPION air heater	4.5kW	230 - 1 ϕ	20.0A	10.84"	14.44"
075869	SKORPION air heater without blower	1.5kW	120 - 1 ϕ	12.5A		
075835	SKORPION air heater without blower	3.0kW	230 - 1 ϕ	12.5A		
076029	SKORPION air heater without blower	4.5kW	230 - 1 ϕ	20.0A		

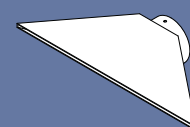
Accessories



F075744



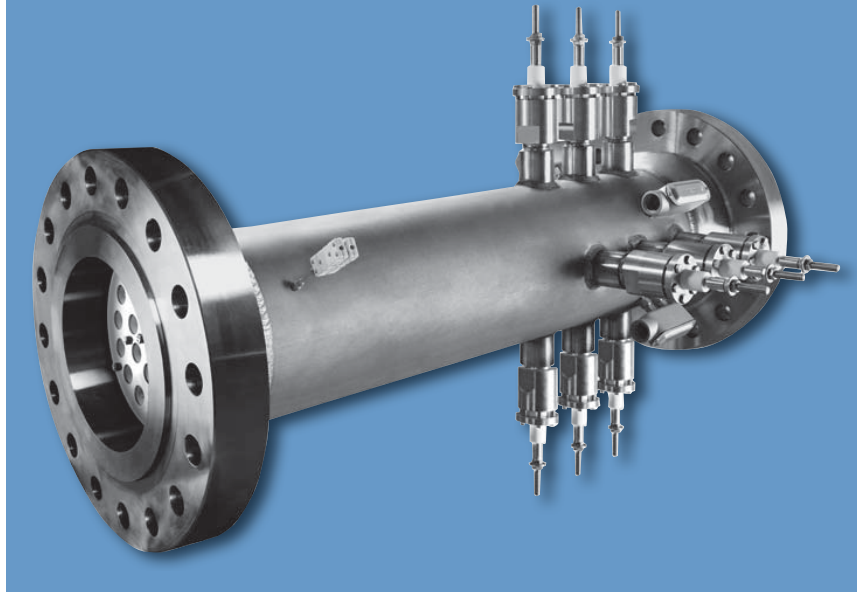
F075745



F075746

Part Number	Description	
075744	High flow nozzle	21mm (1") diameter opening – slip-on mount with set screw
075745	Standard flare	150mm x 12mm (6" x 0.5") opening – slip-on mount with set screw
075746	Wide flare	300mm x 4mm (12" x 0.16") opening – slip-on mount with set screw

Flanged Inline System

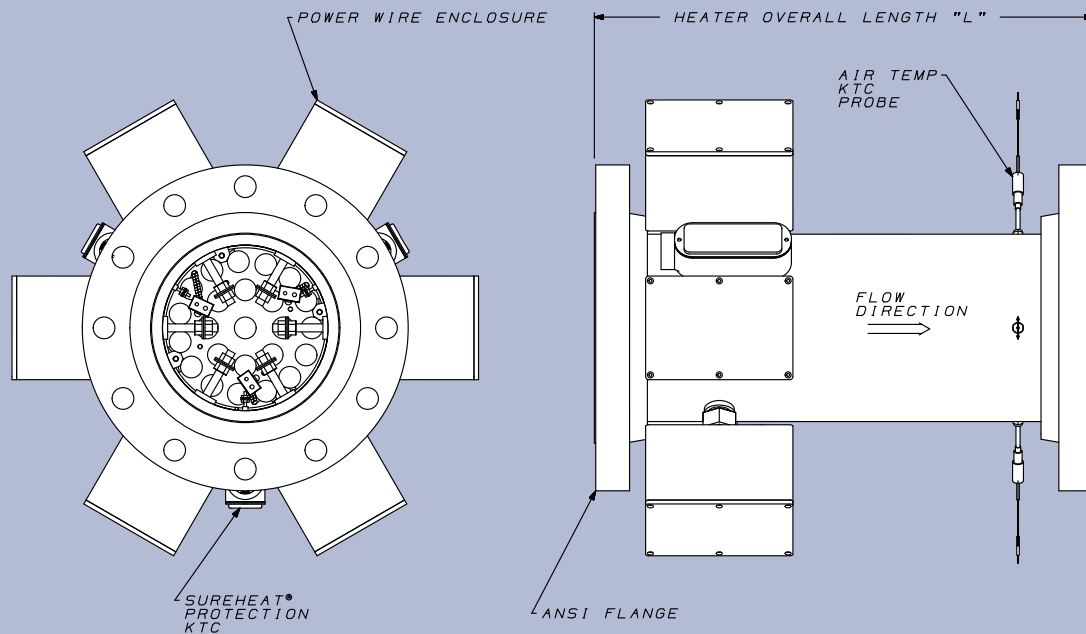


Specifications

- Electric process inline air heater with ANSI standard pipe and flanges for heating high-pressure air or inert gases to 1400°F (760°C) and higher
- With the SYLVANIA patented Serpentine elements, you can reach set point temperature within just a few seconds or minutes, versus the much slower response of tubular element designs
- Standard heater models range from 2.5" pipe size (18kW) to 10" pipe size (400kW). (400kW model shown in photo.) Custom heater models are available upon request
- Maximum static pressures to 150 psi (10 bar)
- Maximum inlet temperature 900°F (482°C)
- Type K thermocouple probes included for accurate control and safety
- Each 6" diameter and larger heater model is supplied with four (4) internal Type K thermocouples attached to heater element for additional protection
- Elements are easily replaceable as a complete cartridge assembly
- Ultra High Pressure (UHP) models (>150 psi) are available with ASME Section VIII Div. 1 code stamp. Models up to 800 psi (54 bar) have been supplied
- Custom SCR power and temperature control cabinets are available on request
- On-site start-up assistance can also be provided
- RoHS compliant



Installation



Products

Part Number	Nominal Pipe Size	Max. Watts	Max. Volts	Max. Amps	Overall Length "L"	Flange ANSI Class	Vessel Material	Air Temperature KTC Probes	SUREHEAT Protection KTC's	Replacement Element Part Number
072631	2.5"	18kW	480 - 3 ϕ	22	16.0" (406mm)	150lb	304SS	2	0	076062
076202	2.5"	24kW	480 - 3 ϕ	29	16.0" (406mm)	150lb	304SS	2	0	076203
076208	4"	36kW	480 - 3 ϕ	44	23.0" (584mm)	150lb	304SS	2	0	076209
076204	4"	48kW	480 - 3 ϕ	58	23.0" (584mm)	150lb	304SS	2	0	076205
073377	6"	72kW	480 - 3 ϕ	87	23.0" (584mm)	300lb	304SS	3	4***	073378
076206	6"	96kW	480 - 3 ϕ	116	23.0" (584mm)	300lb	304SS	3	4***	076207
073384	8"	144kW	480 - 3 ϕ	175	23.0" (584mm)	300lb	304SS	3	4***	073385
073153	8"	192kW	480 - 3 ϕ	235	23.0" (584mm)	300lb	304SS	3	4***	073253
076013*	10"	400kW	480 - 3 ϕ	482	52.75" (1340mm)	300lb	316HSS	2**	4***	076041

* Heater P/N F076013 is designed for 300 psi operation.

** Two duplex probes supplied for total of 4 air temperature KTC's.

*** Requires SUREHEAT four-zone limit circuit, SYLVANIA P/N F073262 (purchased separately).

Reference Data

A. Air Heater Energy Requirement

$$kW = SCFM \times (\text{Texit} - \text{Tinlet}) / 2500$$

B. Temperature Conversions

$$^{\circ}F = 9/5 (^{\circ}C) + 32$$

$$^{\circ}C = 5/9 (^{\circ}F - 32)$$

C. Air Flow Conversions

$$SCFM = SCFH / 60 = SLPM / 28.3$$

$$SLPM = SCFH / 2.12$$

$$SCMH = SCFH / 35.3$$

$$SCFM = (\text{Pounds of Air Per Minute}) / (.076 \text{ lbs/ft}^3)$$

$$SCFM = \text{grams/sec.} \times 1.74$$

$$SCFM = \text{kg/min.} \times 28.9$$

$$SCFM = \text{Standard Cubic Feet per Minute}$$

$$SCFH = \text{Standard Cubic Feet per Hour}$$

$$SLPM = \text{Standard Liters per Minute}$$

$$SCMH = \text{Standard Cubic Meters per Hour}$$

D. Single Phase Wiring

$$V = I \times R \text{ (Volts = Amps} \times \text{Ohms)}$$

$$I = W / V \text{ (Amps = Watts / Volts)}$$

$$W = V^2/R \text{ (Watts = (Volts} \times \text{Volts) / Ohms)}$$

E. Three Phase Wiring

Delta Configuration

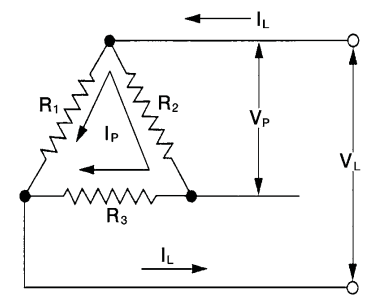
$$R = R_1 = R_2 = R_3$$

$$W_{\text{delta}} = 3(V_L^2)/R$$

$$W_{\text{delta}} = 1.73 \times V_L \times I_L$$

$$I_P = I_L/1.73$$

$$V_P = V_L$$



Delta Configuration

Wye Configuration

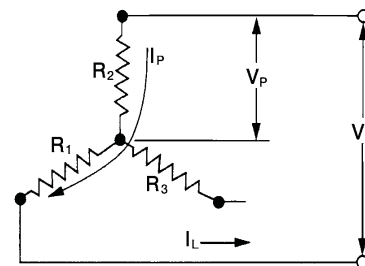
$$R = R_1 = R_2 = R_3$$

$$W_{\text{wye}} = (V_L^2)/R = 3(V_P^2)/R$$

$$W_{\text{wye}} = 1.73 \times V_L \times I_P$$

$$I_P = I_L$$

$$V_P = V_L/1.73$$



Wye Configuration

F. Thermocouple Configuration (Type K)

(+) = Yellow = Alumel (non-magnetic)

(-) = Red = Chromel (magnetic)



For orders and product information:

OSRAM SYLVANIA

131 Portsmouth Avenue
Exeter, NH 03833 USA
Tel. 800-258-8290
In NH 603-772-1072
www.sylvaniaheaters.com

OSRAM SYLVANIA

Headquarters

100 Endicott Street
Danvers, MA 01923 USA
(978) 777-1900
www.sylvania.com

The information and recommendations contained in this publication are based upon data collected by OSRAM SYLVANIA and believed to be correct. However, no guarantee or warranty of any kind, expressed or implied, is made with respect to the information contained herein, and OSRAM SYLVANIA assumes no responsibility for the results of the use of products and processes described herein. No statements or recommendations made herein are to be construed as inducements to infringe any relevant patent, now or hereafter in existence.

SYLVANIA is a registered trademark of OSRAM SYLVANIA Inc.
SEE THE WORLD IN A NEW LIGHT is a registered trademark of OSRAM SYLVANIA Inc.
SUREHEAT is a registered trademark of OSRAM SYLVANIA Inc.
SKORPION is a trademark of OSRAM SYLVANIA Inc.

SEE THE WORLD IN A NEW LIGHT

SYLVANIA

