

Series I, II, III Heaters

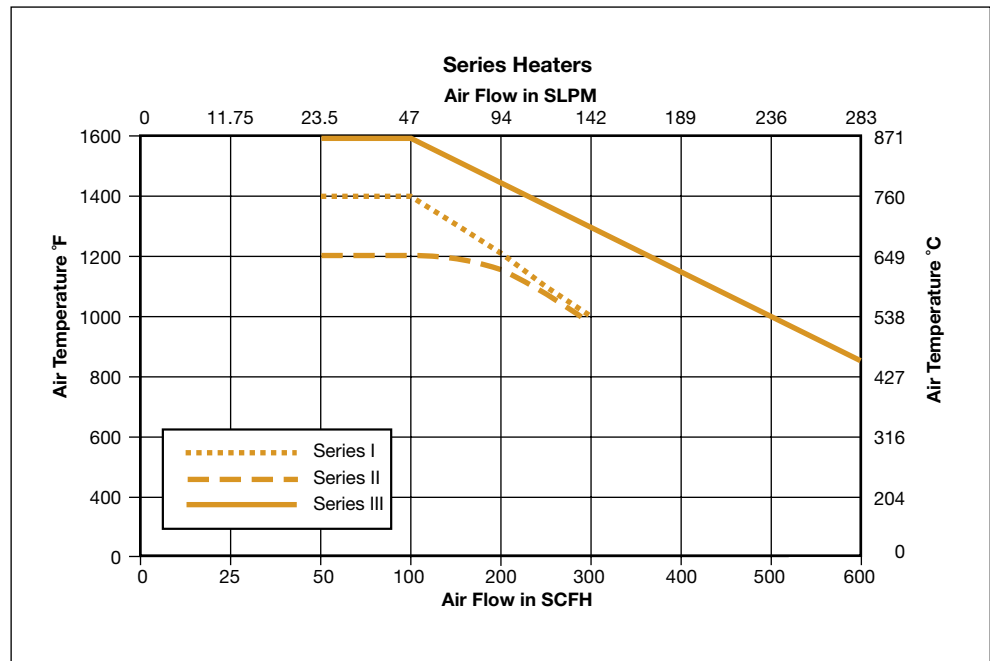
4

Specifications

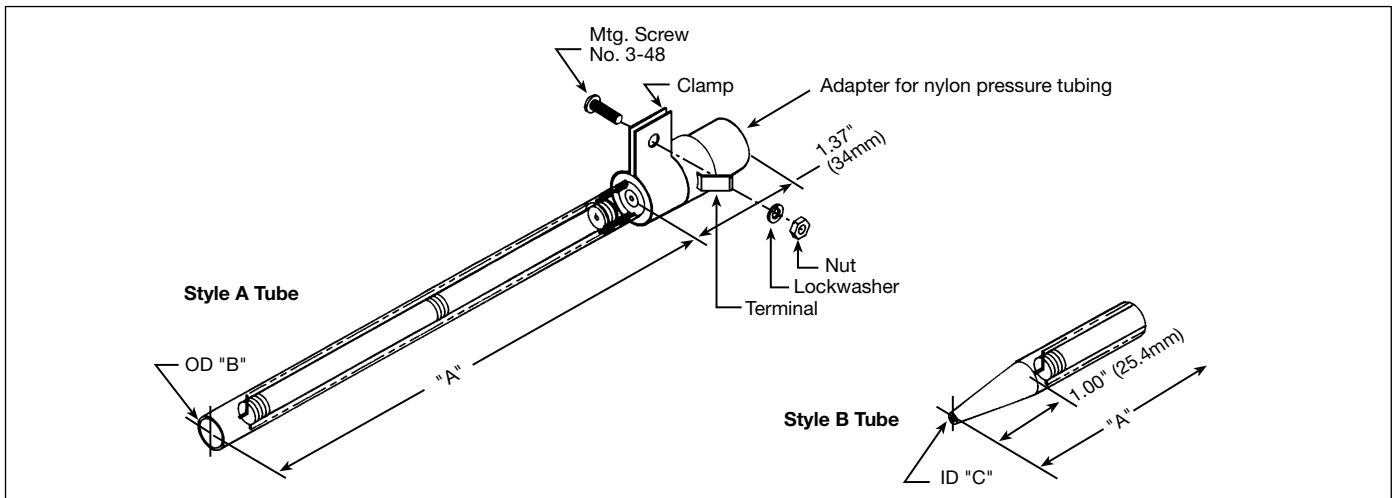
- Air temperatures to 1600°F (871°C)
- Quartz outer tube housing.
- Nozzled (Style B) or open-ended (Style A) design
- High-temperature silicone rubber Rear Adapter/ Terminal Assembly
- Maximum air pressure 7 PSI (0.5 bar)
- Maximum inlet temperature 120°F (49°C)
- CE compliant



Performance



Installation



Products

Part Number	Tube Style	Max. Watts	Max. Volts	Tube Length "A"	Tube O.D. "B"	Nozzle I.D. (Style B) "C"
Series I						
010226	A	1050	180	6.88" (175mm)	.41" (10mm)	—
014372	A	1000	130	7.75" (197mm)	.41" (10mm)	—
014682	B	680	145	7.88" (200mm)	.41" (10mm)	.07" (2mm)
014683	B	650	105	8.75" (222mm)	.41" (10mm)	.07" (2mm)
Series II						
016501	A	1125	130	3.88" (98mm)	.41" (10mm)	—
016503	A	850	80	3.88" (98mm)	.41" (10mm)	—
016502	B	600	95	4.88" (124mm)	.41" (10.4mm)	.07" (2mm)
016504	B	650	70	4.88" (124mm)	.41" (10mm)	.07" (2mm)
Series III						
017558	A	2050	160	6.88" (175mm)	.59" (15mm)	—
017575	B	1450	135	7.88" (200mm)	.59" (15mm)	.12" (3mm)

Accessories

Part Number	Description
057081	Open Loop (Manual) power controller 25A
Outer Shields — Open End	
015509	For Series I 014372
017853	For Series II
Outer Shields — Flared	
037261	For Series I 010226, 014682